

848H

WHEEL LOADER

Engine

Cummins QSB6.7 Tier 4 Final

Gross Power

175 hp (129 kW)

Operating Weight

35,260 lb (15,994 kg)

Bucket Capacity

3.5 yd³ (2.7 m³)



TOUGH WORLD. TOUGH EQUIPMENT.

848H SPECIFICATIONS >>>

ENGINE

Emissions regulation	Tier 4 Final / Stage IV
Make	Cummins
Model	QSB6.7
Max gross power	175 hp (129 kW) @ 2,100 rpm
Max net power	167 hp (123 kW) @ 2,100 rpm
Peak torque	620 lb-ft (841 N-m) @ 1,400 rpm
Displacement	409 in ³ (6.7 L)
Number of cylinders	6
Aspiration	Turbocharged & air-to-air intercooled

TRANSMISSION STANDARD

Transmission type	Countershaft, power shift
Torque converter	Single-stage, three-element
Maximum travel speed, fwd	27.5 mph (44.3 km/h)
Maximum travel speed, rev	15.7 mph (25.3 km/h)
Number of speeds, fwd.	4
Number of speeds, rev	3

AXLES

Differential front type	Limited slip
Differential rear type	Limited slip
Axle oscillation	±12°

STEERING

Steering configuration	Articulated
Steering pressure	2,611 psi (18 MPa)

BRAKES

Service brake type	Wet discs, two independent circuits
Service brake actuation	Hydraulic
Parking brake type	Manual electronic control
Parking brake actuation	Hydraulic

HYDRAULIC SYSTEM

Main pump type	Piston
Pressure	3,002 psi (20.7 MPa)
Raise	5.5 s
Dump time	1.6 s
Float down time	3.0 s
Total cycle time	10.1 s

LOADER ARM PERFORMANCE WITH ATTACHMENT

Tipping load - straight	23,876 lb (10,830 kg)
Tipping load - full turn	21,418 lb (9,715 kg)
Bucket breakout force	26,977 lbf (120.0 kN)
Maximum hinge pin height	12 ft 11 in (3,935 mm)
Dump clearance at full height discharge	9 ft 0 in (2,750 mm)
Dump reach at full height discharge	3 ft 5 in (1,050 mm)
Maximum digging depth, bucket level	3 in (70 mm)
Bucket rollback at ground level	45°
Bucket rollback at carry	48°
Bucket rollback at maximum height	60°
Maximum dump angle at full height	45°

BUCKET PERFORMANCE

Bucket capacity	3.5 yd ³ (2.7 m ³)
-----------------	-------------------------------------------

DIMENSIONS

Ground clearance	1 ft 3 in (366 mm)
Wheelbase	10 ft 0 in (3,050 mm)
Cab height	10 ft 10 in (3,310 mm)
Wheel tread	6 ft 9 in (2,050 mm)
Width over tires	8 ft 4 in (2,548 mm)
Length with bucket down	26 ft 4 in (8,030 mm)
Turn angle, either side	38°
Rear angle of departure	28°
Turning radius, bucket carry	20 ft 6 in (6,520 mm)
Turning radius, outside of tire	18 ft 4 in (5,590 mm)
Width over bucket	9 ft 1 in (2,750 mm)

TIRES

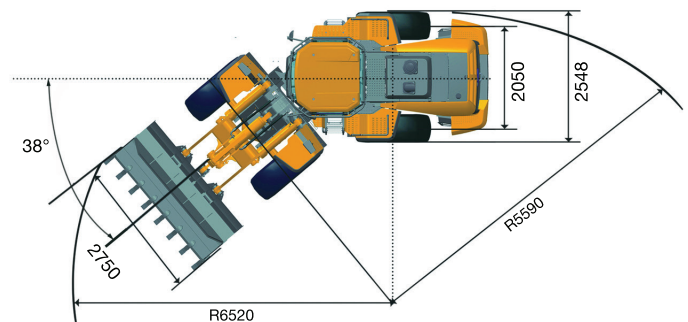
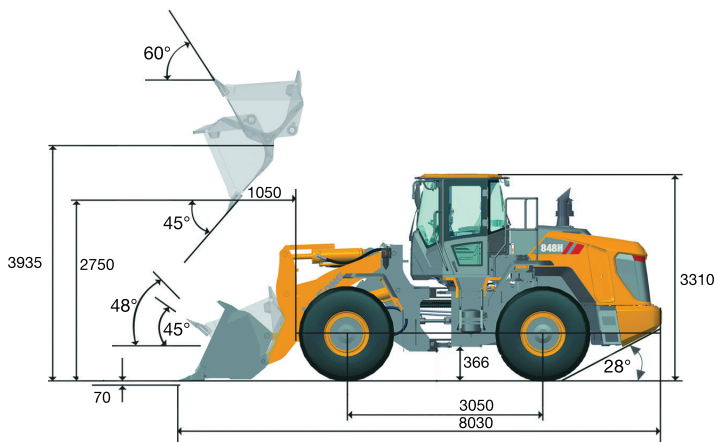
Tire Size	20.5R25 L3 tire
-----------	-----------------

OPERATING WEIGHTS

Operating weight	35,260 lb (15,994 kg)
------------------	-----------------------

SERVICE CAPACITY

Fuel tank	65.0 gal (245 L)
Engine oil	4.5 gal (17 L)
Cooling system	12.0 gal (44 L)
Hydraulic system	48.0 gal (180 L)
Transmission	10.5 gal (40 L)
Axles, each	9.5 gal (36 L)
DEF tank	5.0 gal (19 L)



LiuGong Construction Machinery N.A., LLC

22220 Merchants Way, Suite 100, Katy, Texas 77449

T: (281) 579-8882 F: (281) 579-8388

www.liugongna.com

Specifications and designs are subject to change without notice. Machines shown may include optional equipment.

01/2020 Designed by LiuGong